

Recommended
Details for
Standard Steel Doors,
Frames, and Accessories



Standards As Tough As Steel.™
© 2024 Steel Door Institute

STEEL DOOR INSTITUTE
30200 DETROIT ROAD • CLEVELAND, OHIO 44145

Recommended Details for Standard Steel Doors, Frames, and Accessories

Contents

111A-24 Recommended Standard Steel Door Frame Details.....	1
111B-24 Recommended Standard Details for Dutch Doors.....	7
111C-24 Recommended Louver Details for Standard Steel Doors	9
111D-24 Recommended Door, Frame and Hardware Schedule for Standard Steel Doors & Frames	12
111E-24 Recommended Guidelines for the Use of Gasketing and Thresholds for Standard Steel Doors and Frames.....	15
111F-24 Recommended Existing Wall Anchors for Standard Steel Doors and Frames	19
111G - (Withdrawn) Recommended Standard Preparation for Double Type (Interconnected) Locks on Standard Steel Doors and Frames	
111H-24 High Frequency Hinge Preparations for Frames.....	22
111I-24 Cast In Place Hollow Metal Frames	24

NOTE: To reduce the visual clutter of providing both United States customary units of measurement (US) and International System of Units (SI), this standard will present all measurements in only the US units.

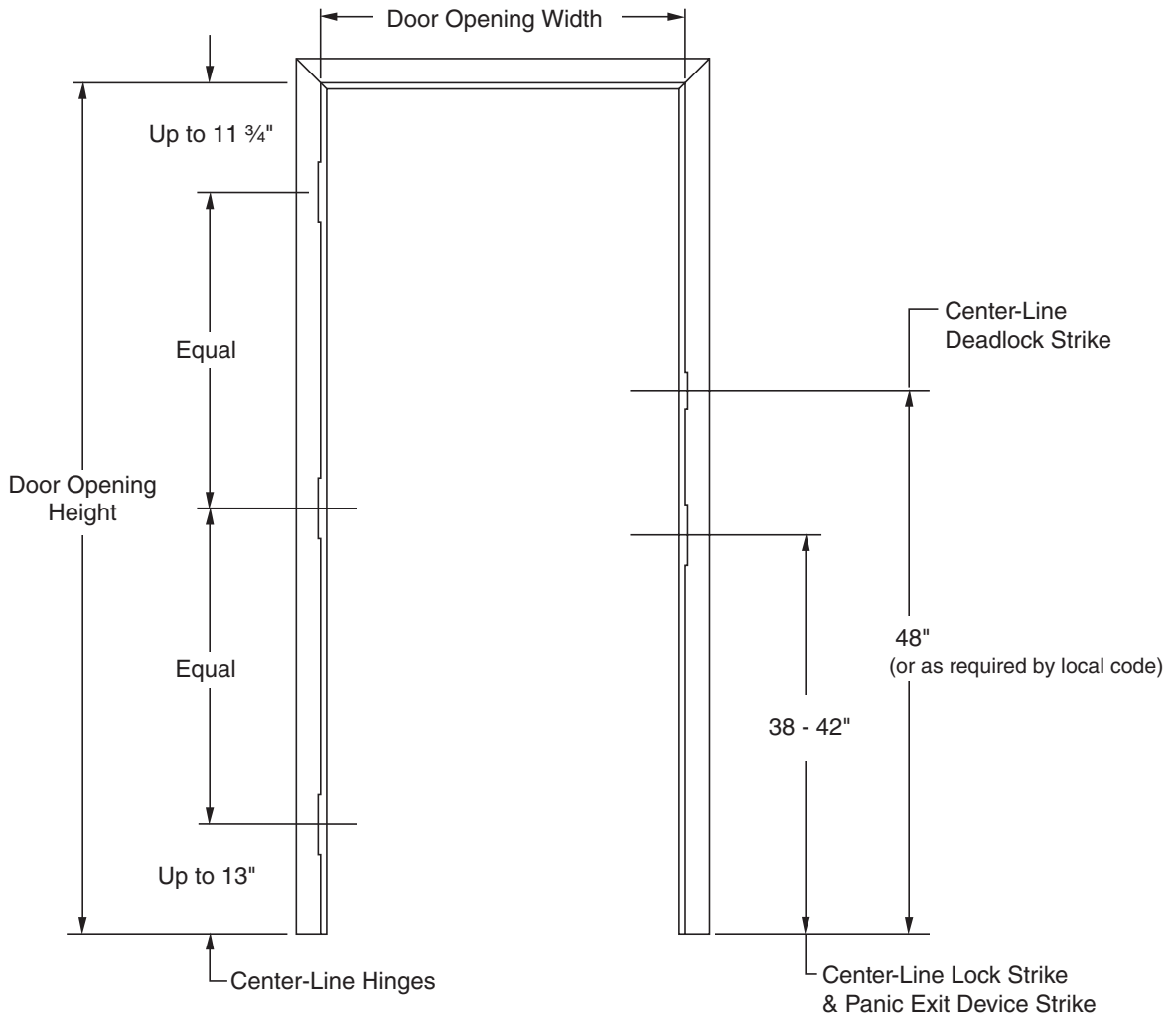
Recommended
**Standard Steel Door
Frame Details**



Standards As Tough As Steel.™
© 2024 Steel Door Institute

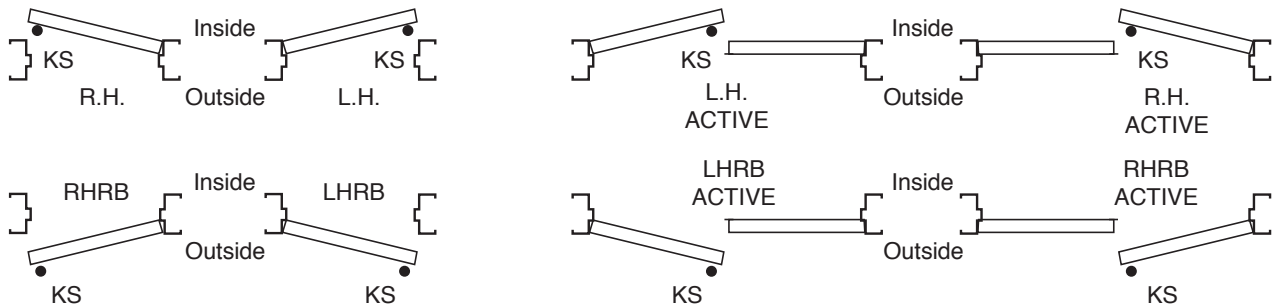
STEEL DOOR INSTITUTE
30200 DETROIT ROAD • CLEVELAND, OHIO 44145

Hardware Locations



Note: Center Hinge Omitted on 6' 8", 1-3/8" Non-Rated Doors, Unless Specified.

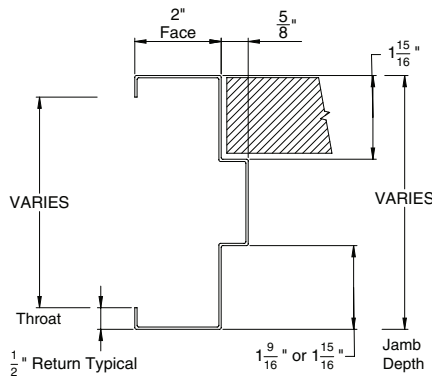
Handing Chart



Note: All values which do not carry specific tolerances or are not marked maximum or minimum shall have the following tolerances: Linear dimensions shall be $\pm 1/16$ in. Weight or force shall be $\pm 2\%$. Angles shall be ± 2 degrees. Where only minus tolerances are given, the dimensions are permitted to be exceeded at the option of the manufacturers.

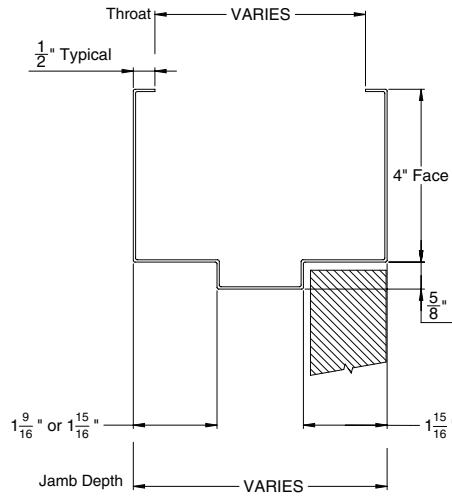
Standard Frame Details

Standard Profiles



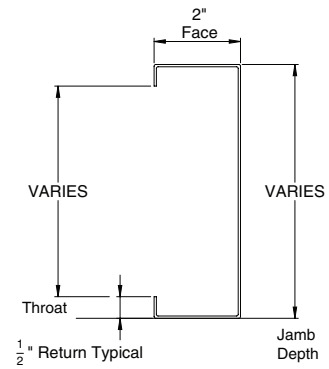
Notes:
 Material: 16 gauge steel is typical for interior.
 14 gauge steel is typical for exterior
 7/16" Return Typical for 5-3/4" Jamb Depth

Double Rabbet (Head or Jamb Detail)



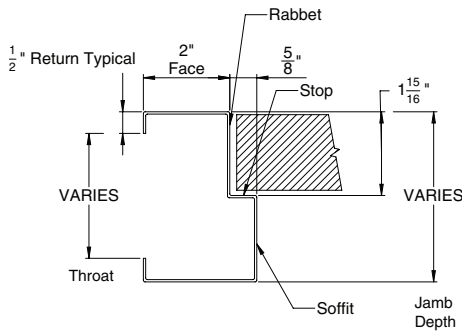
Notes:
 Material: 16 gauge steel is typical for interior.
 14 gauge steel is typical for exterior
 7/16" Return Typical for 5-3/4" Jamb Depth

**Double Rabbet with 4" Face
 (Head Detail - Optional)**



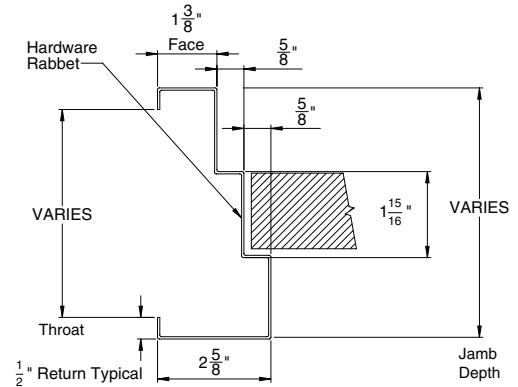
Notes:
 Material: 12 to 16 gauge steel is typical
 7/16" Return Typical for 5-3/4" Jamb Depth

Cased Open



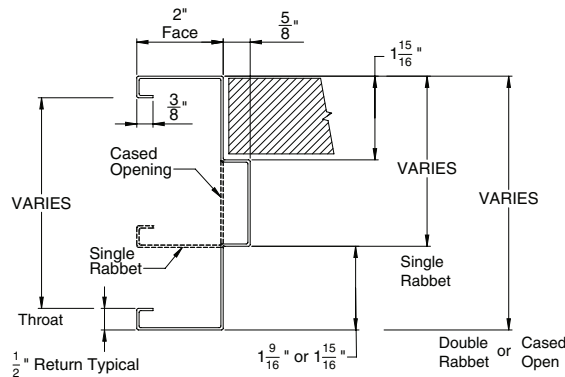
Notes:
 Material: 16 gauge steel is typical for interior.
 14 gauge steel is typical for exterior
 7/16" Return Typical for 5-3/4" Jamb Depth

Single Rabbet (Jamb Detail)



Notes:
 Material: 16 gauge steel is typical
 7/16" Return Typical for 5-3/4" Jamb Depth
 Profiles may vary

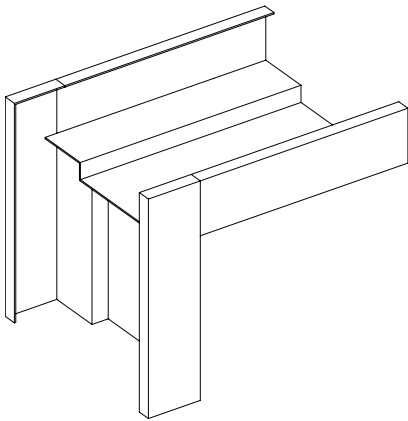
Double Egress



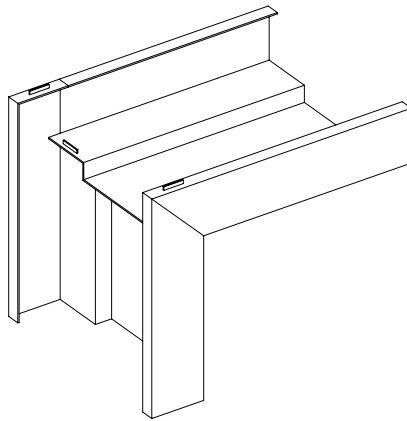
Notes:
 Material: 16 gauge steel is typical for interior.
 Solid section represents the width of door frame for a Double Rabbet
 Dashed section represents the width of door frame for a Single Rabbet
 Soffit to be min 1" (or as required by manufacturer)

"Slip-On Drywall" Door Frame Profile Section

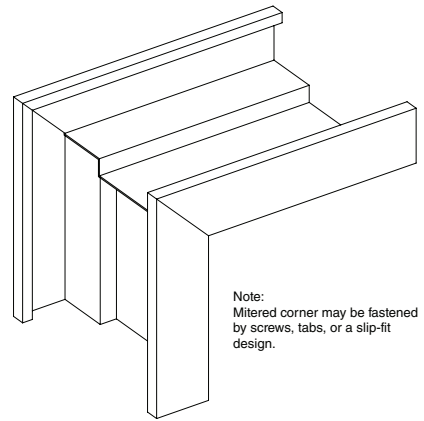
Corners



Double Knocked Down (Butted)
May be Horizontal or Vertical

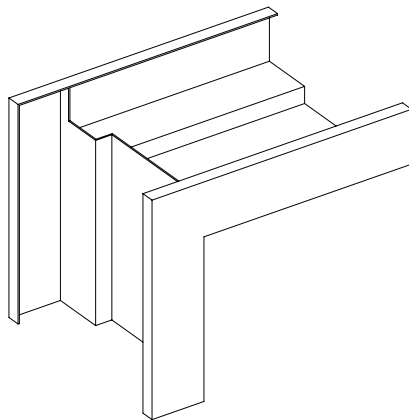


Knocked Down (Mitered)

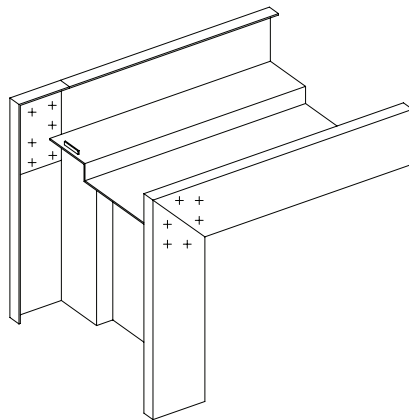


Note:
Mitered corner may be fastened
by screws, tabs, or a slip-fit
design.

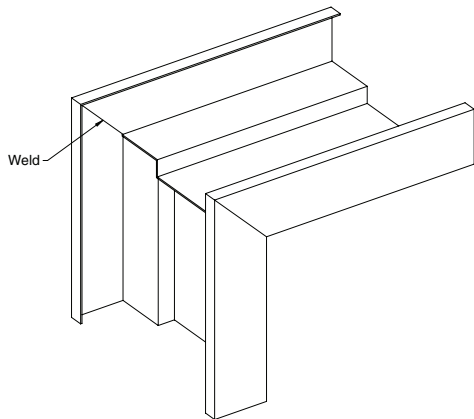
**Door Frame Corner Miter Assembly with
"Slip-On Drywall" Profile Section.**



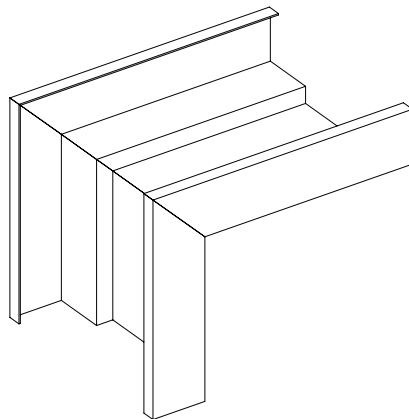
**Set Up Arc Welded
and Ground Smooth**



Set Up Spot Welded

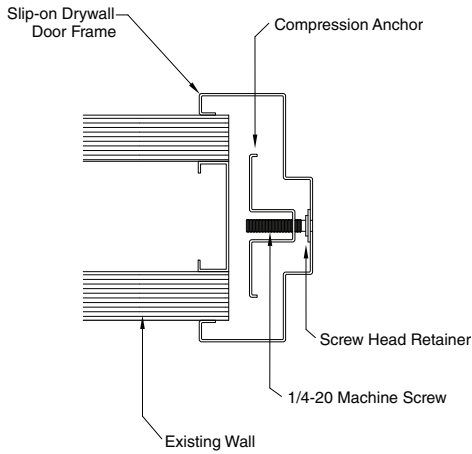


**Mitered and Face Welded
Inside or Outside**

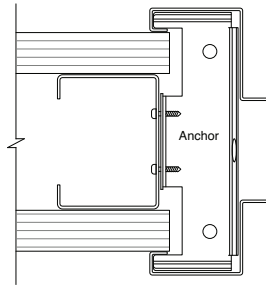


Continuously Welded (Mitered)

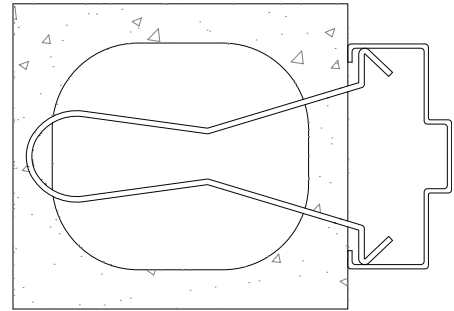
Common Wall Conditions



Note:
Turn machine screw which moves the compression anchor in contact with the wall stud.

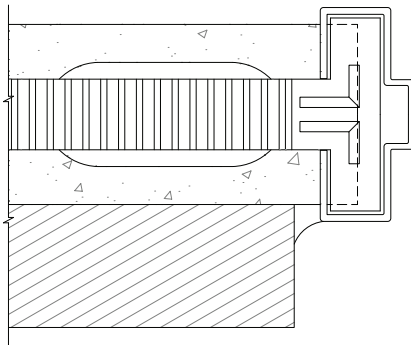


Steel or Wood Stud with Single or Double Layer of 1/2" or 5/8" Gypsum Board Each Side

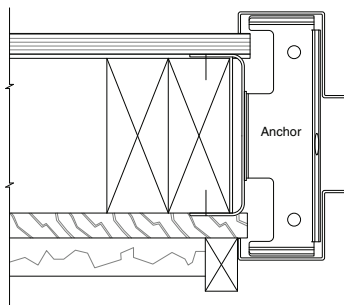


Butted Masonry, Brick Tile or Concrete Block

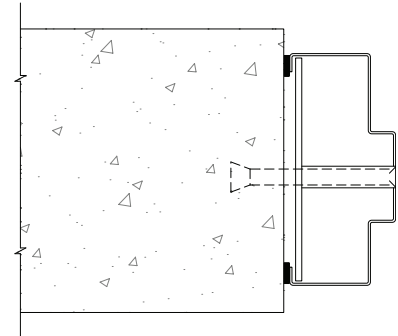
"Slip-on Drywall" Assembly with Compression Anchor



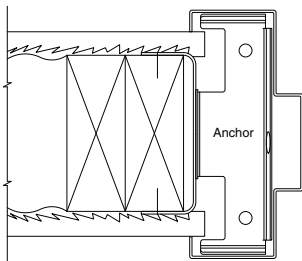
4" Block and Brick Combination



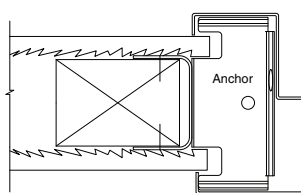
Stucco-2x4 Wood Stud with 3/4" Gypsum Board & Plaster



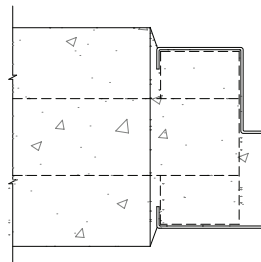
Existing Masonry or Concrete



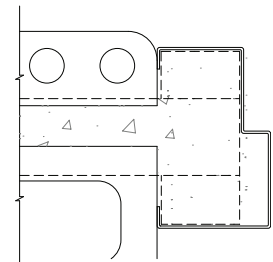
2x4 Wood Stud with 3/4" Plaster on Metal Lath



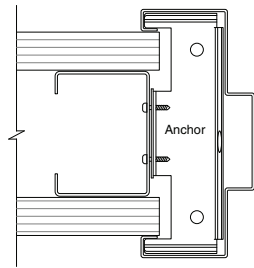
2x4 Wood Stud with 3/4" Plaster on Metal Lath



Butted Masonry, Tile or Concrete Block

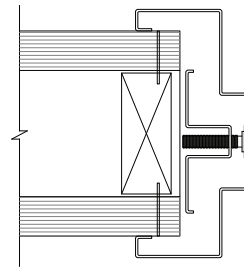


2" Corner Tile and 4" Block Combination



Note:
Frame Material: 14 to 16 gauge steel
is typical

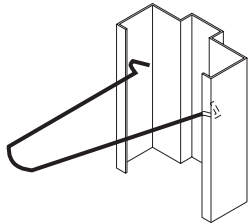
**2-1/2" or 3-5/8" Steel Stud with
Two Layers of 5/8" Gypsum
Board Each Side**



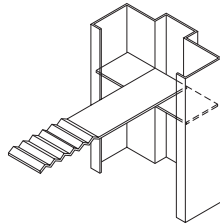
Note:
Material: 16 gauge .053" steel

**2-1/2" or 3-5/8" Steel or
Wood Stud with 1/2" or 5/8"
Gypsum Board**

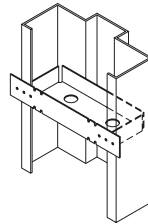
Anchor Details



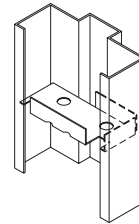
Masonry Wire Anchor



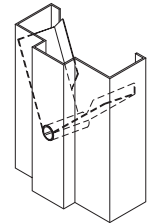
Masonry Tee Anchor



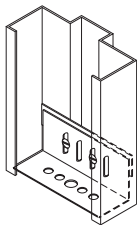
Wood Stud Anchor



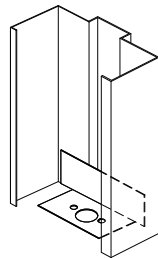
Steel Stud Anchor



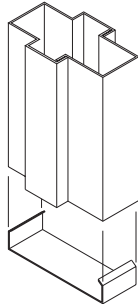
Existing Wall Anchor



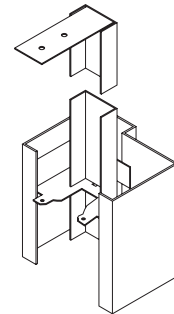
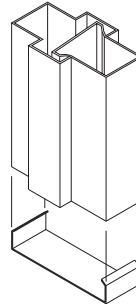
Adjustable Base Anchor



Standard Base Anchor



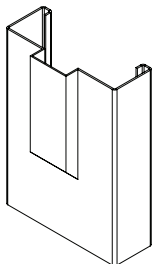
**Typical Mullion Sections
with Base Anchor**



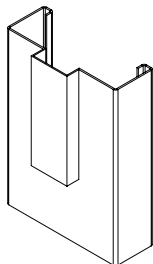
**Plaster Partition Anchor
(Ceiling Strut Optional)**

Hospital Stop Details

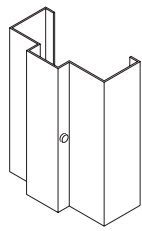
Hardware Preparations



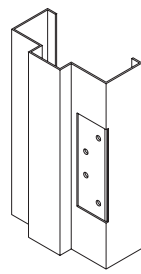
**45 Degree
Hospital Stop**



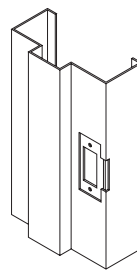
**90 Degree
Hospital Stop**



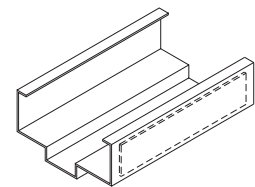
Rubber Silencers



Mortise Hinge



Strike



**Surface Hardware
Reinforcement. Weld-in
Reinforcement Shown, Loose
Reinforcing Sleeve Available
for Field Installation.**

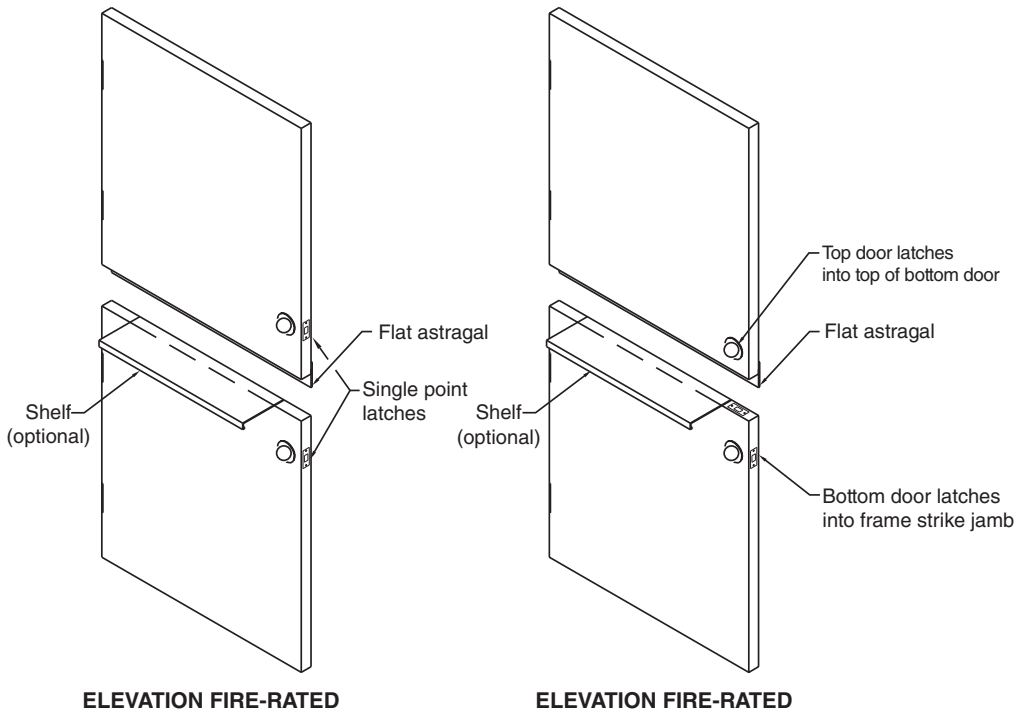
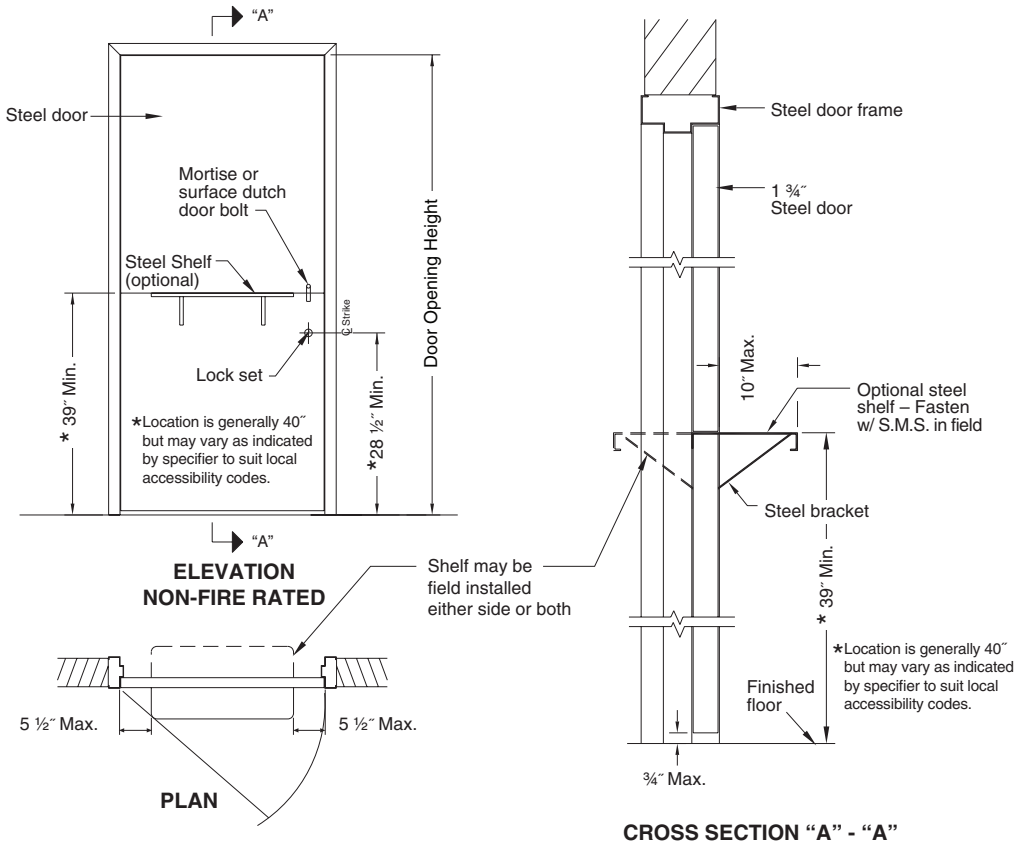
Recommended
Standard Details
for Dutch Doors



Standards As Tough As Steel.™
© 2024 Steel Door Institute

STEEL DOOR INSTITUTE
30200 DETROIT ROAD • CLEVELAND, OHIO 44145

Recommended Standard Details for Dutch Doors



Note: All values which do not carry specific tolerances or are not marked maximum or minimum shall have the following tolerances: Linear dimensions shall be $\pm 1/16$ in. Weight or force shall be $\pm 2\%$. Angles shall be ± 2 degrees. Where only minus tolerances are given, the dimensions are permitted to be exceeded at the option of the manufacturers.

Recommended
Louver Details
for
Standard Steel Doors



Standards As Tough As Steel.™
© 2024 Steel Door Institute

STEEL DOOR INSTITUTE
30200 DETROIT ROAD • CLEVELAND, OHIO 44145

Recommended Louver Details for Standard Steel Doors

Standard steel doors can be provided with a variety of louver designs and sizes. This publication contains explanations and details of louver designs that are most commonly available within the standard door industry.

When specified, doors shall be provided with louvers at the bottom and/or top. The choice of which to use must be determined by the architect on aesthetic, functional, and economic grounds.

Function – Louvers permit free air passage, controlling the volume by their size or design. They diffuse or control direction of air flow by blade design.

Insert Louvers – Louvers commonly used in standard steel doors are of the “insert” type designed to be mounted into a cutout in the door and an overlapping frame. Inverted “V” blade, “Z” blade, inverted “Y” or chevron-type blade, lightproof, adjustable blade, grille type, and fusible link self-closing fire door types are available in a wide range of sizes. Also available from some steel door manufacturers is a pierced louver design. Insert louvers intended for exterior doors or other doors where security is a consideration should have fasteners or materials specified accordingly.

Note: If a louver door is required to provide security, the steel door manufacturer should be consulted.

Bird or insect screens are available with many of the standard design louvers. Where specified, consult steel door manufacturer for availability.

Weatherproof Louvers – True weatherproof designs do not exist. Some louvers are manufactured to provide a certain degree of rain protection.

Louver Construction – Standard louver frames are a minimum 20 gauge steel with louver blades of a minimum 24 gauge steel. The louver blades can be welded or tenoned to the frame and the entire assembly is generally fastened to the door with moldings. Generally, one molding will be an integral part of the louver, while the other molding will be detachable. When louvers are installed, the detachable moldings should be located on the room or non-security side of the door. Where doors are manufactured as non-handed, louvers may require reversing during door installation to suit actual handing.

Application:

Inverted “V” or “Z” Blade types allow maximum free air flow with minimum static pressure differential.

Inverted “Y” or Chevron Blade types, while offer-

ing less free air flow, offer a higher strength factor for schools and other areas where vandalism or hard usage may occur.

Lightproof louvers are used where light transmission must be avoided, but provide minimal free air flow.

Adjustable Blade louvers are used where air flow is varied in velocity and control of flow is needed.

Grille type louvers are normally associated with air conditioning, where air must be diffused in random flow, avoiding higher velocity air flow patterns.

Fusible Link louvers are used in fire doors where flames and intense heat passage must be controlled. These louvers must be labeled. Fusible link louvers are allowed only at the bottom of fire doors. Since closing is heat activated, these louvers are not to be used on smoke control doors.

Pierced louvers, available from some steel door manufacturers, offer a flush condition and may be furnished with internal insect screens. Louvers are formed by embossing the door face sheets.

Louver Size Determinations – As a guide, the following approximate percentages of louver size may be used to determine the free area in a given size louver:

• Pierced louver	20%
• Inverted “V” inserted louver	50 – 60%
• Inverted “Y” (chevron) inserted louver	40 – 60%
• “Z” type inserted louver	40 – 45%
• Adjustable inserted louver	40 – 50%
• Lightproof inserted louver	20%
• Fusible link inserted louver	45%

The above percentages assume there is no air pressure drop from one side of the door to the other. On air condition grilles an air pressure drop is normal. An average 70% of the grille size can be used in computing free area on doors with air condition grilles.

The percentages noted above are approximates. Consult the individual manufacturer’s literature for the specific sizes and ratings normal to their program.

Coordination – A combination of glass lights and louvers is common in steel door work. Care should be taken to avoid specifying too long a narrow light when a louver or grille occurs in the bottom of the same unit. In addition, handicap codes may dictate the location of the louver relative to the bottom of the door.

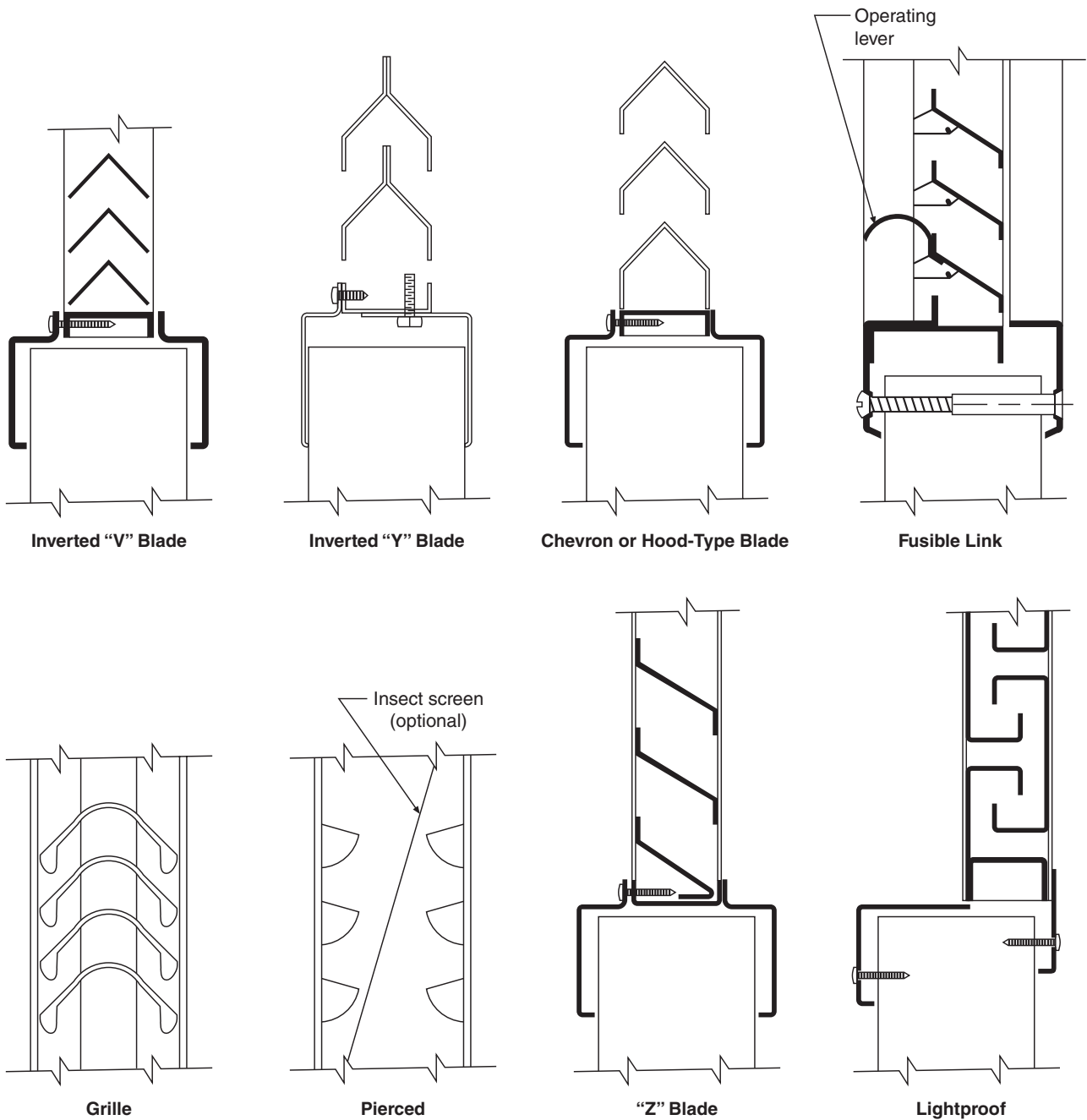
Full Louver Doors – A minimum 5” rail occurs at the

top and at the vertical stiles and an 8" minimum rail occurs at the bottom of these doors (Consult door manufacturer for exact stile/rail dimensions). Stile and top rail sizes must be coordinated with closer dimensions, lock preparations, and lever handles. Pierced louvers are not available on full louvered doors.

Finish – The finish is to be prime painted, except when the louver is used in a factory prefinished door, in which case the louver will be finish painted with a color to

match the door. For exterior doors, zinc coated louvers are available where specified.

Cross Section Details



Recommended
**Door, Frame and
Hardware Schedule for
Standard Steel Doors &
Frames**



Standards As Tough As Steel.™
© 2024 Steel Door Institute

STEEL DOOR INSTITUTE
30200 DETROIT ROAD • CLEVELAND, OHIO 44145

Recommended Door, Frame and Hardware Schedule for Standard Steel Doors & Frames

The purpose of this publication is to establish a guide for architects and those responsible for scheduling doors, frames, and hardware requirements.

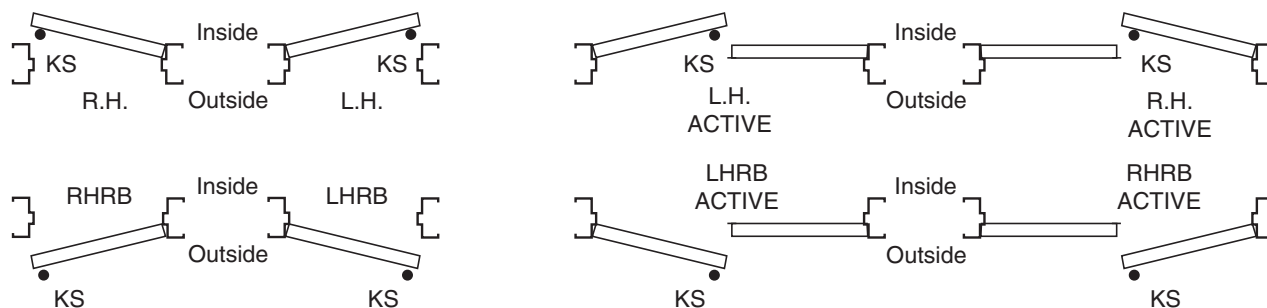
Although primarily designed for steel doors and frames, this suggested schedule is flexible enough to list total door and frame requirements of a complete job.

Items not specifically covered in the schedule may be listed in the "Remarks" and extra columns near the end.

Typical handing of doors and hardware is to be based on the format below:

Note: While the term 'gauge' is no longer common for defining material thickness it is still used to specify doors and frames for ordering purposes. The term 'thickness' is used when defining the actual dimension of an item, and the term 'gauge' is used in the context of specifying a particular door or frame.

Handing Chart



KS indicates keyed side of lockset.

Recommended
**Guidelines for the Use of
Gasketing and Thresholds
for Standard Steel Doors
and Frames**



Standards As Tough As Steel.™
© 2024 Steel Door Institute

STEEL DOOR INSTITUTE
30200 DETROIT ROAD • CLEVELAND, OHIO 44145

Recommended Guidelines for the Use of Gasketing and Thresholds for Standard Steel Doors and Frames

The following details represent the recommendation of the Steel Door Institute in this important corollary area. This document should in no way be considered an endorsement of any manufacturer nor does it imply that any materials not shown should be considered inferior weatherstripping.

The criteria employed in the selection of these details included:

1. The experience of the Institute with the details shown.
2. The adaptability of the material shown to standard steel doors and frames.
3. The ability to maintain gasketing at the door and frame during periods of normal thermal movement to the balance of the building structure.
4. The availability of the material from normal commercial sources.
5. Ease of maintenance.

General

Gasketing and thresholds are used to control the flow of air, smoke, heat or cold, water, sound or other environmental factors through the door opening. The location or intended use of the door assembly, the environment to which it is exposed, and the performance expected will dictate the selection of gasketing and threshold products. The variety of materials, their composition, profiles, and performance are virtually limitless. These are described in ANSI/BHMA A156.21 or A156.22. Generally, gasket materials are sponge neoprene, rubber, vinyl, brushes, or magnets. Retainers are generally steel, aluminum, brass, bronze, vinyl, or other non-ferrous materials. Information in catalogs published by BHMA members aid in the selection of perimeter sealing “systems” to meet the applicable performance criteria of the door assembly.

Images within this section are examples of seal installations. Consult hardware manufacturer’s installation instructions for specifics.

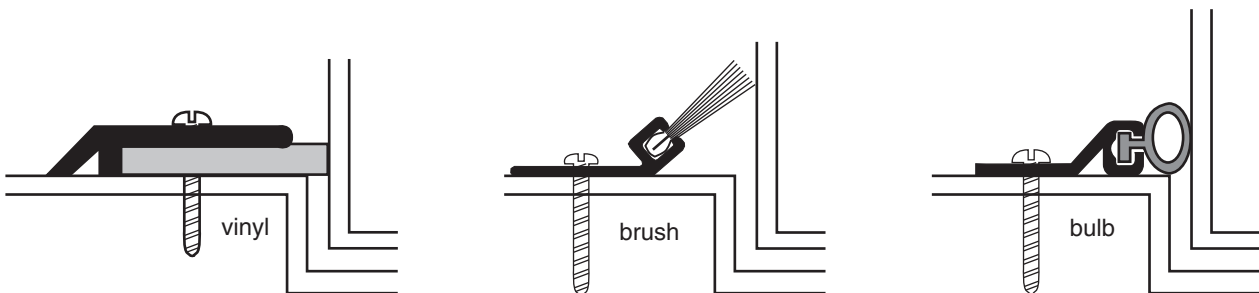
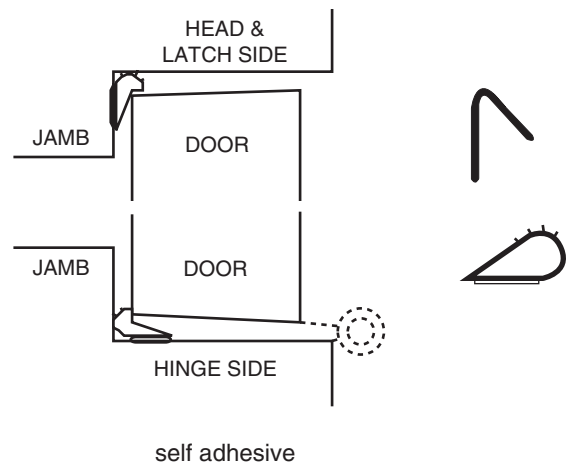
Perimeter Seals

Sealing of gaps between door edges and the header or jambs generally has the greatest effect on performance of the door opening. The available options are as varied as their applications and their mounting surfaces e.g. steel, structural steel, or wood. Care should be taken to select materials that will assure performance under specific job requirements as well as meeting the mounting surface criteria.

Gasketing products should never impede the operation, opening or closing of the door assembly. Simple contact is all that is required for some products. Other products for more severe installations require a slight compression.

A simple test for gasket compression may be conducted by inserting a sheet of 20 lb or copy paper into the gap and closing the door. The paper should be held in place by the gasketing.

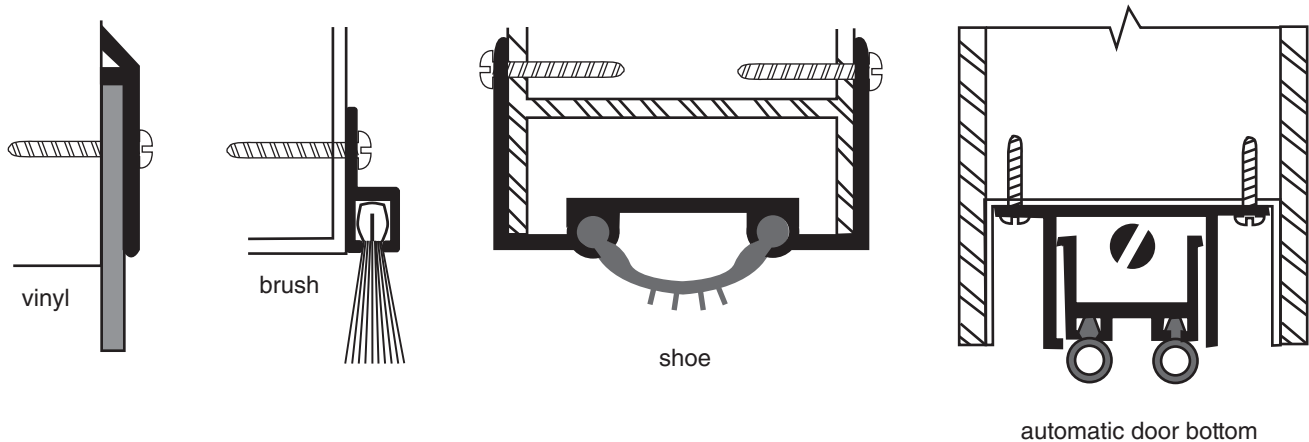
Gasketing or weather-stripping, of any kind, should be furnished and installed in accordance with manufacturer’s instructions.



Door Bottom Seals

In most instances, sealing of gaps between the bottom of doors and flooring or thresholds is accomplished with door bottoms or overlapping strips in metal retainers. These may be of a design that extends beyond the bottom of the door mechanically, or of a fixed protruding or overlapping design.

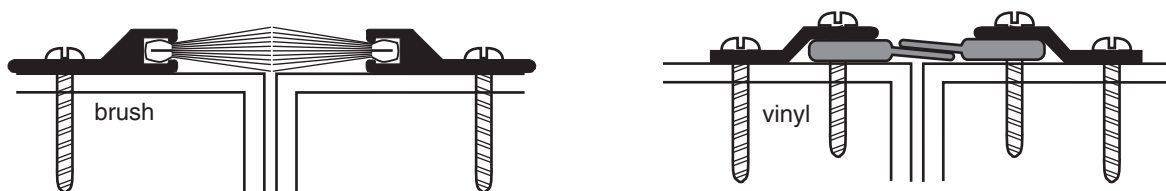
Door bottom gaskets must compress against a solid object to affect a proper seal. Carpeting by its pliant nature does not provide a proper seal.



Astragal Seals

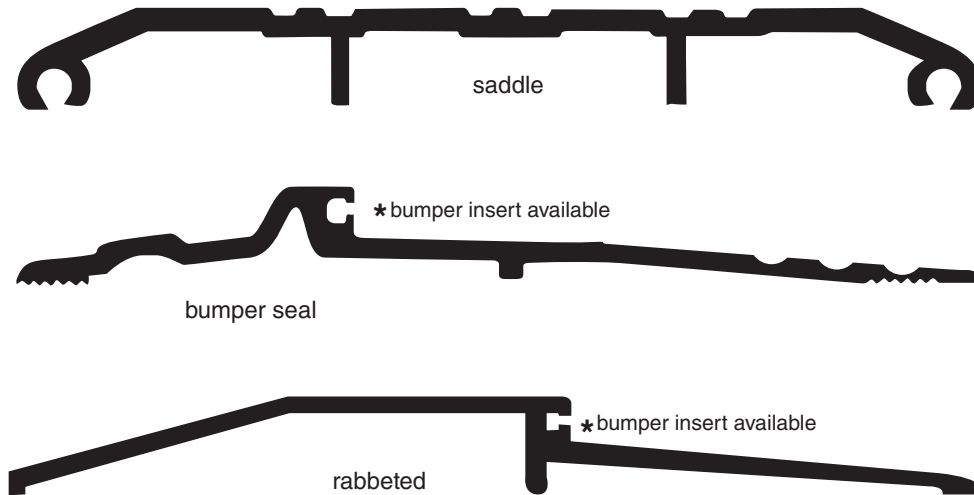
Sealing of door edges at meeting stiles, in lieu of or in addition to factory mounted astragals is accomplished by supplemental gasketing. This gasketing may be closely abutting fixed members or by overlapping strips in metal retainers.

Overlapping gasketing is normally used to avoid interference with edge mounted hardware such as locksets or flush bolts. Closely abutting gasketing is commonly used where both doors must operate simultaneously or independently as in egress doors.



Thresholds

Thresholds may be used in addition to or in lieu of door bottom seals. They may incorporate gaskets or other formed profiles to allow for exit device latching or may be prepared for flush bolt latching. Thresholds should be provided under the door and between the frame to allow for a smooth transition between floor coverings of different heights or materials. Special consideration should be given to threshold designs used in means of egress or in handicap accessible situations. The latter limitations are covered in ANSI/ICC A117.1.



Fire Door Considerations

When supplying products to be used on fire rated openings, care should be taken to maintain the proper clearances around the perimeter of the door assembly in accordance with NFPA 80. Gasketing materials must be investigated or “Listed” to determine that their installation does not adversely affect the fire resistance performance of the assembly. For example, the performance of gasketing is observed during the fire test to ensure that flaming does not occur on the exposed surface of door assemblies. It is important to note, however, that the ANSI/UL 10B, ANSI/UL 10C and ANSI/NFPA 252 standard fire tests do not include evaluation of the door assembly relative to preventing the passing of smoke or other products of combustion through or around the assembly. Openings that require a smoke seal must be tested in accordance with UL 1784 and installed in accordance with NFPA 105. In fire door applications it is VITAL that gasketing does not inhibit the ability of the door assembly to close and latch.

Performance Testing Criteria

Gasketing products are covered under ANSI/BHMA A156.22.

Included in that standard are:

- Closing Force Test
- Heat Test
- Cold Test
- Energy Test
- Intumescent Gasket Test
- Acoustic Test
- Smoke Infiltration Test

Thresholds are covered under ANSI/BHMA A156.21.

Included in that standard are:

- Weight Bearing Test

Recommended
**Existing Wall Anchors
for Standard Steel Doors
and Frames**



Standards As Tough As Steel.™
© 2024 Steel Door Institute

STEEL DOOR INSTITUTE
30200 DETROIT ROAD • CLEVELAND, OHIO 44145

Recommended Existing Wall Anchors for Standard Steel Doors and Frames

This standard is a guide for architects to help them recognize available options to the traditional sub buck detail widely used in the past. The anchoring systems shown are available in regular and labeled frames.

The details shown are typical of those employed by members of the Steel Door Institute, but all of the details are not made by all of the members of the Institute. A general reference to this document in your specifications should result in all of the members of the SDI and most of the non-members being able to bid on the job without a multitude of exceptions.

In order to make the installation successful, careful consideration shall be given to all tolerances involved and that sufficient clearance is figured to allow for them.

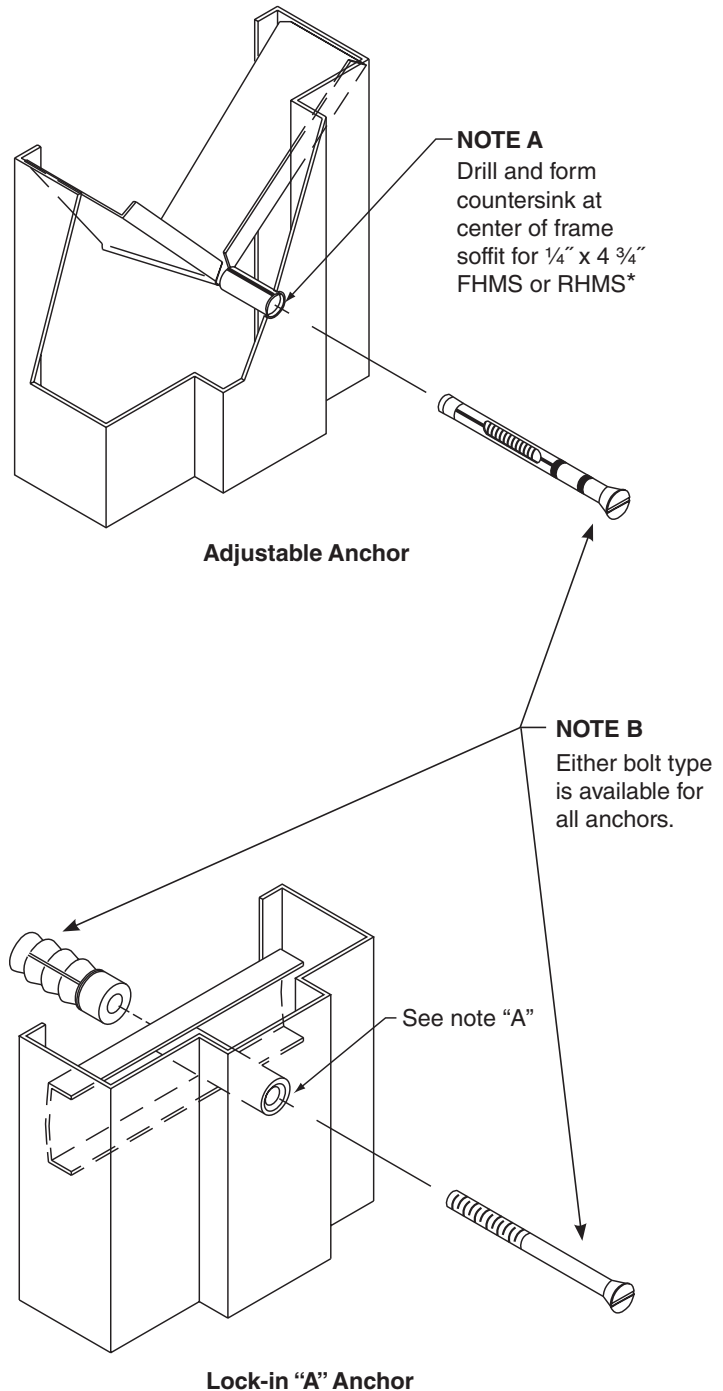
It has been "customary" to allow 1/4" clearance around the frame perimeter when establishing rough opening sizes or when figuring non-standard overall frame sizes. Although this dimensional requirement does not appear in Industry publications, it is based on the following:

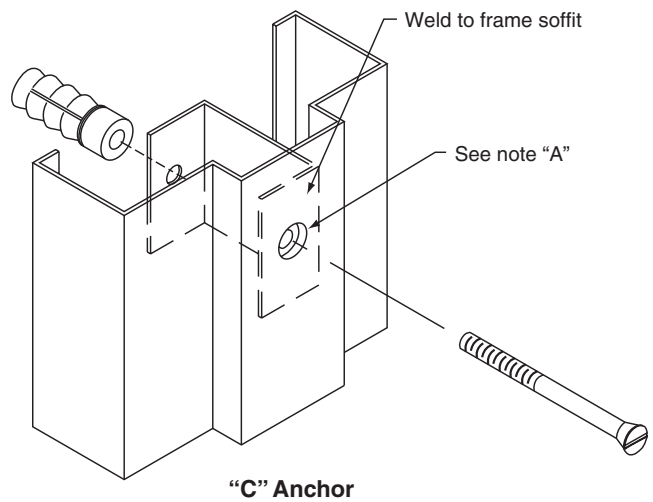
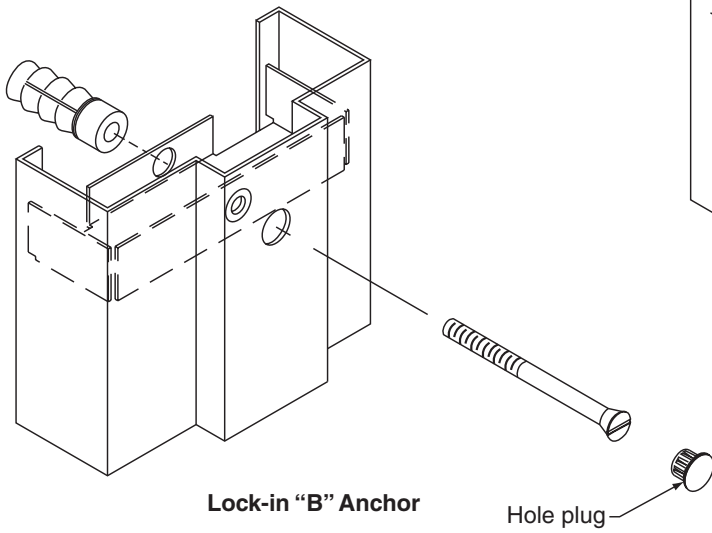
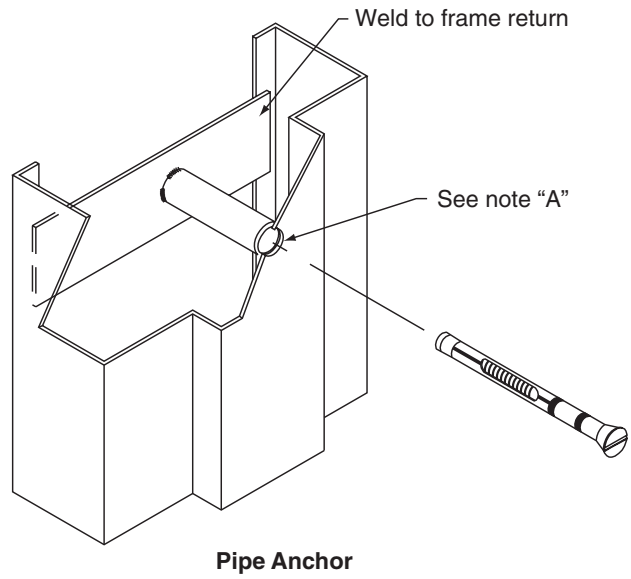
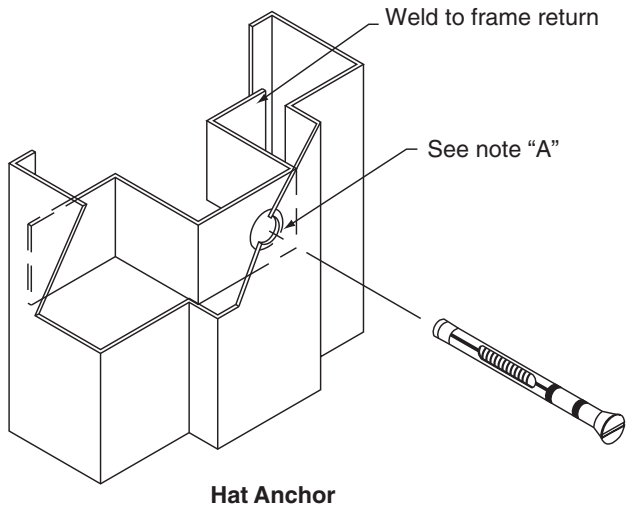
- Both SDI 117 and ANSI/NAAMM HMMA 861 recognize a + tolerance in opening width and height.
- Both of these documents recognize a ± tolerance in frame face dimensions.
- Both ANSI/NAAMM HMMA 861 and SDI 117 recognize a ± installation tolerance for vertical plumb.

Frames will "fit and function" if made to these dimensional tolerances and installed within tolerances.

There is, however, relatively no assurance that the substrate (walls) will be of suitable size or alignment.

We therefore recommend that the rough openings for these cases be no less than 3/16" larger on all 3 sides than the "intended" overall frame size. (Example: 3070 standard frame = 3'-4 3/8" x 7'-2 3/16"). The installer carries the responsibility for shimming and aligning as necessary. Gaps are normally sealed as part of the installation or caulking/painting process. Architectural Specifications are to be consulted to determine the appropriate sealant material to be used at fire door or smoke control frames.





NOTE C

The head of the bolt may be filled in field with appropriate filler.

NOTE D

Up to 7'6" height minimum four (4) anchor required per jamb

* Fire rated frames require 3/8" diameter bolts. Steel expansion shields must be used instead of lead shields.

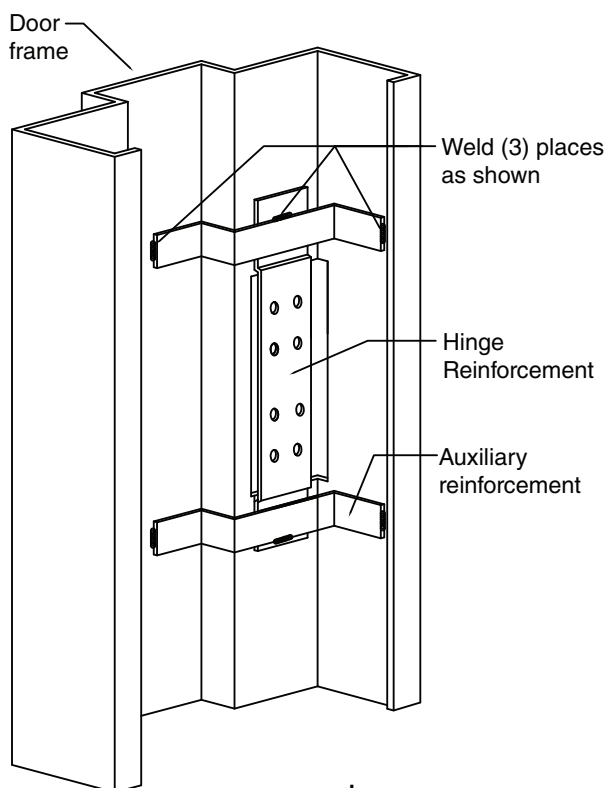
High Frequency Hinge Preparations for Frames



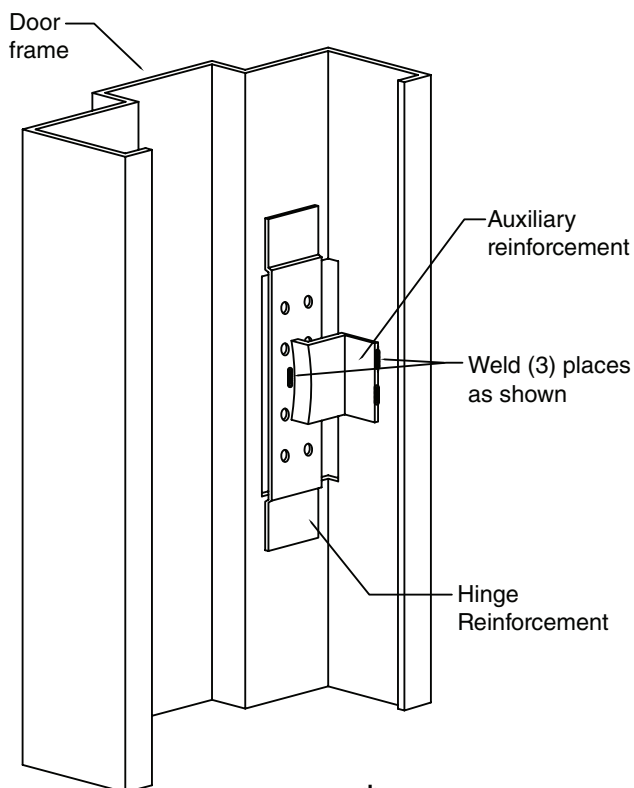
Standards As Tough As Steel.™
© 2024 Steel Door Institute

STEEL DOOR INSTITUTE
30200 DETROIT ROAD • CLEVELAND, OHIO 44145

High Frequency Hinge Preparations for Frames



Example "A"*



Example "B"*

Background:

There are occasions where steel frames used in extremely high frequency or high use areas need to be supplied with additional reinforcing to eliminate potential door sag. These types of openings would include: main entrances to schools, rear exits where severe abuse could be a factor, auditoriums, gymnasiums, and the like. When these types of installations are required, there is a method in which this can be handled, efficiently and economically, through providing auxiliary reinforcing to standard door frames. The specification for this is as follows:

Specification:

When a high frequency preparation is required, the top hinge of the door frame shall be provided with an auxiliary reinforcement as shown in example "A" or "B." For additional strength, the center and bottom hinge reinforcement may also be provided with additional reinforcements.

* High frequency hinge preparations may vary between manufacturers.

Cast In Place Hollow Metal Frames



Standards As Tough As Steel.™
© 2024 Steel Door Institute

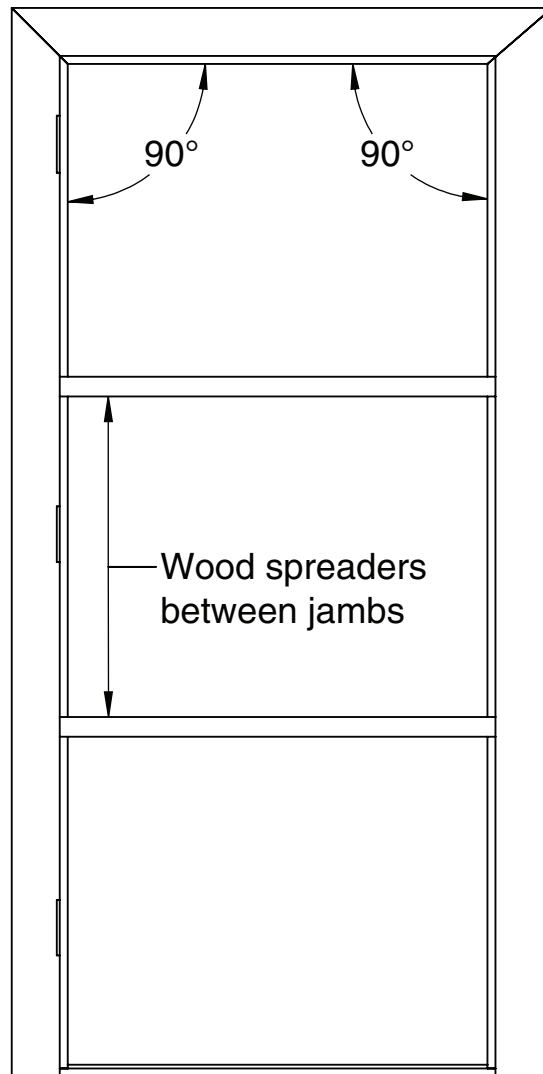
STEEL DOOR INSTITUTE
30200 DETROIT ROAD • CLEVELAND, OHIO 44145

Cast In Place Hollow Metal Frames

The use of hollow metal frames in cast-in-place concrete walls is a common construction practice; to make the installation successful, careful consideration shall be given to the following to ensure proper door function and clearance when complete.

All mortised hardware preparations shall be covered with Grout Guard (Also referred to as Dust Cover Guard, Masonry Guard, Mortar Guard, or Plaster Guard).

Frames shall be installed into cast in place fixture square, plumb, with braces at the middle and bottom of the frame. See figure below.



When cast in place frames are not an option, a rough opening should be blocked out no less than 3/16" larger than the frame on all three sides. For example, the opening for a 3'0" x 7'0" standard frame with 2" faces would be 3' 4-3/8" x 7' 2-3/16" minimum. The installer is responsible for anchoring the frame per the manufacturer's installation instructions, shimming, and aligning as necessary.

AVAILABLE PUBLICATIONS

Specifications

- ANSI/SDI A250.6** Recommended Practice for Hardware Reinforcing on Standard Steel Doors and Frames
- ANSI/SDI A250.8** Specifications for Standard Steel Doors and Frames (SDI-100)
- ANSI/SDI A250.14** Hardware Preparation in Steel Doors and Steel Frames
- SDI-108** Recommended Selection & Usage Guide for Standard Steel Doors
- SDI-118** Basic Fire Door, Fire Door Frame, Transom/Sidelight Frame, and Window Frame Requirements
- SDI-128** Guidelines for Acoustical Performance of Standard Steel Doors and Frames
- SDI-129** Hinge and Strike Spacing
- SDI-133** Guideline for Specifying Steel Doors & Frames for Blast Resistance
- SDI-136** Guideline for Specifying Windstorm Products

Test Procedures

- ANSI/SDI A250.3** Test Procedure & Acceptance Criteria for Factory Applied Finish Coatings for Steel Doors and Frames
- ANSI/SDI A250.4** Test Procedure & Acceptance Criteria for Physical Endurance for Steel Doors, Frames and Frame Anchors
- ANSI/SDI A250.10** Test Procedure & Acceptance Criteria for Prime Painted Steel Surfaces for Steel Doors and Frames
- ANSI/SDI A250.13** Testing and Rating of Severe Windstorm Resistant Components for Swinging Door Assemblies for Protection of Building Envelopes (Not applicable for FEMA 320/361 or ICC-500 Shelters)
- SDI-113** Standard Practice for Determining the Steady-State Thermal Transmittance of Steel Door and Frame Assemblies
- SDI-131** Accelerated Physical Endurance Test Procedure for Steel Doors

Construction Details

- ANSI/SDI A250.11** Recommended Erection Instructions for Steel Frames
- SDI-110** Standard Steel Doors & Frames for Modular Masonry Construction
- SDI-111** Recommended Details for Standard Steel Doors, Frames, Accessories and Related Components
- SDI-122** Installation Troubleshooting Guide for Standard Steel Doors & Frames

Miscellaneous Documents

- SDI-112** Zinc-Coated (Galvanized/Galvannealed) Standard Steel Doors and Frames
- SDI-117** Manufacturing Tolerances for Standard Steel Doors and Frames
- SDI-124** Maintenance of Standard Steel Doors & Frames
- SDI-127** Industry Alert Series (A-L)
- SDI-130** Electronic Hinge Preparations
- SDI-134** Glossary of Terms for Hollow Metal Doors and Frames
- SDI-135** Guidelines to Measure for Replacement Doors in Existing Frame Openings

MEMBERS OF THE STEEL DOOR INSTITUTE

CECO

AN ASSA ABLOY DOOR GROUP COMPANY
9159 Telecom Drive
Milan, TN 38358-3425
(731) 686-8345
www.cecodoor.com

CURRIES

AN ASSA ABLOY DOOR GROUP COMPANY
1502 12th Street, P.O. Box 1648
Mason City, IA 50402-1648
(641) 423-1334
www.curries.com

DEANSTEEL MANUFACTURING CO.

931 S. Flores Street
San Antonio, TX 78204-1406
(210) 226-8271
www.deansteel.com

DE LA FONTAINE INDUSTRIES, INC.

3 Normac Road
Woburn, MA 01801
(781) 932-8663
www.delafontaine.com

DCI

7980 Redwood Avenue
Fontana, CA 92336-1638
(909) 770-5700
www.dcihollowmetal.com

HOLLOW METAL XPRESS (HMX)

3440 Stanwood Boulevard
Huntsville, AL 35811-9021
(256) 851-6670
www.HMXpress.com

MESKER DOOR

3440 Stanwood Boulevard
Huntsville, AL 35811-9021
(256) 851-6670
www.meskerdoor.com

MPI

319 North Hills Road
Corbin, KY 40701
(606) 523-0173
www.metalproductsinc.com

PIONEER INDUSTRIES, INC.

AN ASSA ABLOY DOOR GROUP COMPANY
111 Kero Road
Carlstadt, NJ 07072
(201) 933-1900
www.pioneerindustries.com

PREMIER STEEL DOORS & FRAMES

2840 Sterlington Road
Monroe, LA 71203
(318) 361-0796
www.trustpremier.com

REPUBLIC DOORS & FRAMES

155 Republic Drive
McKenzie, TN 38201-0580
(731) 352-3383
www.republicdoor.com

STEELCRAFT

9017 Blue Ash Road
Cincinnati, OH 45242
(513) 745-6400
www.steelcraft.com

STILES

AN ASSA ABLOY DOOR GROUP COMPANY
1885 Kinser Road
Ceres, CA 95307
(209) 538-3667
www.stilesdoors.com



Standards As Tough As Steel.™

STEEL DOOR INSTITUTE

30200 DETROIT ROAD • CLEVELAND, OHIO 44145
440.899.0010 • www.steeldoor.org